



48000Btu/h	Multi-zone
Location: _____	Approval: _____
Engineer: _____	Date: _____
Submitted to: _____	Construction: _____
Submitted by: _____	Unit #: _____
Reference: _____	Drawing #: _____

Set Code	22022310001926
Indoor unit code	22022011016181+22022011016261
Outdoor unit code	22022316001165
Set Model	
Indoor unit model	
Outdoor unit model	A-VMH48PV-1
Certified	
AHRI	
UL	



SYSTEM PERFORMANCE DATA

Power supply		
Normal Operational Voltage	(V, Ph, Hz)	208/230, 1, 60
Voltage Range	(V)	187-253
Electrical		
Minimum circuit ampacity	(A)	40.0
Max.fuse	(A)	60.0
Connection wiring		14AWG*4 Stranded, unshielded
Cooling		
Rated Capacity	(Btu/h)	48000(19300~51000)
Capacity Range	(Btu/h)	48000(19300~51000)
Power Input	(W)	4150
Rated current	(A)	18.0
EER	(Btu/W)	11.6
SEER	(Btu/W)	21.5

Heating at 47F		
Rated Capacity	(Btu/h)	49000(11500~58000)
Capacity Range	(Btu/h)	49000(11500~58000)
Power Input	(W)	4000
Rated current	(A)	17.8
COP	(W/W)	3.59
HSPF4	(Btu/W)	11.0
HSPF5	(Btu/W)	9.0

Heating at 17F		
Max Capacity	(Btu/h)	45000

REFRIGERANT PIPE DATA

Design pressure	(PSIG)	550/340
Refrigerant Type	(Oz)	R410A/162
Refrigerant precharge	(ft)	125
	(m)	37.5
Additional charge for each ft (Φ6.35 (1/4") liquid pipe)	(oz/ft)	0.161
	(g/ft)	15
Additional charge for each ft (Φ9.52 (3/8") liquid pipe)	(oz/ft)	0.322
	(g/ft)	30
Liquid side	(inch)	5 x 1/4"
	(mm)	5 x Φ6.35
Gas side	(inch)	3 x 3/8" + 2 x 1/2"
	(mm)	3 x Φ9.52 + 2 x Φ12.7
Max. length for all rooms	(ft)	262
	(m)	80
Max. length for one indoor un	(ft)	115
	(m)	35
Max. height difference between indoor and outdoor unit	(ft)	49
	(m)	15
Max. height difference between indoor units	(ft)	33
	(m)	10

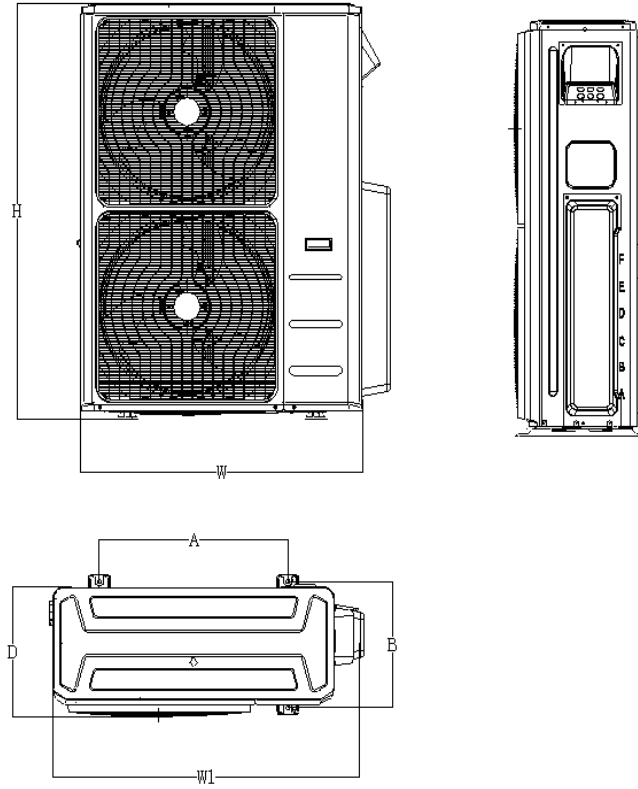
OUTDOOR UNIT DATA

Outdoor(cooling/heating)	(Deg. °F)	-22~122 / -22~75
	(Deg. °C)	-30~50 / -30~24
Application area	(sq.ft)	689~1012
	(m2)	64~94

OUTDOOR UNIT DATA

Compressor		
Type		EAPQ420D1UMUA
Model		ROTARY
Brand		GMCC
Capacity	(Btu/h)	44015
Input	(W)	3565
Rated current (RLA)	(A)	-
Refrigerant oil/oil charge	(ml)	160±15ml ESTER OIL VG74
Throttle		Capillary +EXV
Outdoor fan motor		
Model		ZKFN-85-8-22-5
Qty		2
Input	(W)	126.0
RLA	(A)	--
Speed	(r/min)	900/850/800/750
Air flow & Noise level		
Outdoor air flow (Max.)	(CFM)	4500.00
Outdoor noise level	[dB(A)]	65
Outdoor unit		
Dimension (W×D×H)	(inch)	37.48x16.34x52.48
	(mm)	952x415x1333
Packing (W×D×H)	(inch)	43.11x19.49x58.27
	(mm)	1095x495x1480
Net/ Gross weight	(lbs.)	238.32/269.84
	(kg)	108.1/122.4

Outdoor unit dimension



Unit	W	D	H	W1	A	B
mm	952	415	1333	1060	634	404
inch	37.5	16.3	52.5	41.7	25.0	15.9