




SUBMITTAL DATA SHEET

Multi Zone Heat Pump	550008TUH
Location: _____	Approval: _____
Engineer: _____	Date: _____
Submitted to: _____	Construction: _____
Submitted by: _____	Unit #: _____
Reference: _____	Drawing #: _____

Set Code	22022310003464
Indoor unit code	2202301100387422023011003875
Outdoor unit code	22022316001766
Set Model	
Indoor unit model	
Outdoor unit model	A-VMH55PV-1
Certified	
AHRI	
UL	
	



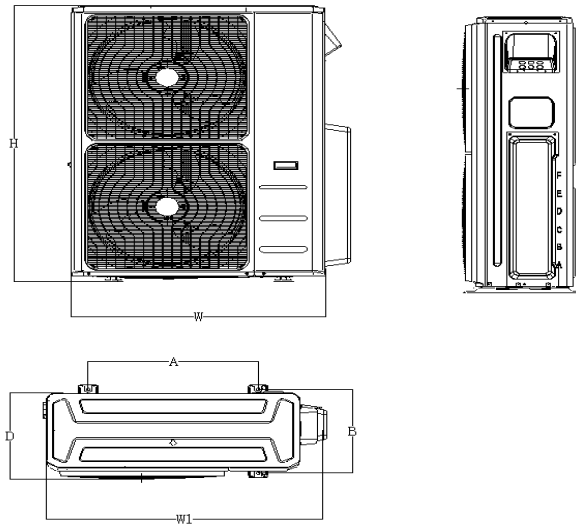
SYSTEM PERFORMANCE DATA			
Power supply			
Normal Operational Voltage	(V, Ph, Hz)	208/230V, 1Ph.	60Hz
Voltage Range	(V)		187-253
Electrical			
Minimum circuit ampacity	(A)		40.0
Max.fuse	(A)		60.0
Connection wiring		14AWG*4	Stranded, unshielded
Cooling			
Capacity	(Btu/h)	55000	(19400-57000)
Power Input	(W)	5238	(600-6050)
Current	(A)	23.5	(3.7-27.2)
SEER2	(Btu/W)		18.8
EER2	(Btu/W)		10.5
Heating			
Capacity	(Btu/h)	55000	(15500-61500)
Power Input	(W)	5200	(940-5600)
Current	(A)	22.5	(4.9-26)
HSPF2-4	(Btu/W)		9.3
HSPF2-5	(Btu/W)		7.3
COP	W/W		3.10
Heat at 17F(H32)	(Btu/h)		35200
Heat at 5F(H42)	(Btu/h)		46000
COP at 5F(H42)	W/W		1.90

OUTDOOR UNIT DATA			
Outdoor(cooling)	(Deg. °F)		5~122
	(Deg. °C)		-15~50
Outdoor(heating)	(Deg. °F)		-22~75
	(Deg. °C)		-30~24

REFRIGERANT PIPE DATA			
Design pressure	(PSIG)		550/340
Refrigerant Type			R410A
Refrigerant charge	oz		162.3
Refrigerant precharge	(ft)		25x5
Additional charge for each ft	(oz/ft)		0.16
(Φ6.35 (1/4") liquid pipe)	(g/ft)		15.0
Additional charge for each ft	(oz/ft)		0.32
(Φ9.52 (3/8") liquid pipe)	(g/ft)		30.0
Liquid side	(inch)		5x1/4"
	(mm)		5x6.35
Gas side	(inch)		3x3/8"+2x1/2"
	(mm)		3x9.52+2x12.7
Max. length for all rooms	(ft)		262.5
	(m)		80.0
Max. length for one indoor unit	(ft)		114.8
	(m)		35.0
Max. height difference between indoor and outdoor unit	(ft)		49.2
	(m)		15.0
Max. height difference between indoor units	(ft)		33.0
	(m)		10.0

OUTDOOR UNIT DATA			
Compressor			
Type			ROTARY
Model			EAPQ420D1UMUA
Brand			GMCC
Capacity	(Btu/h)		44015
Input	(W)		3565
Rated current (RLA)	(A)		25
Refrigerant oil/oil charge	(ml)	1460±15ml	ESTER OIL VG74
Outdoor fan motor			
Model			ZKFN-85-8-22-5
Qty			2
Input	(W)		126.00
Output	(W)		85.00
RLA	(A)		2.50
Speed	(r/min)		900/850/800/750
Air flow & Noise level			
Outdoor air flow (Max.)	(CFM)		4500.00
Outdoor noise level	[dB(A)]		61.00
Outdoor unit			
Dimension (W×D×H)	(inch)	37.48x16.34x52.48	
	(mm)	952x415x1333	
Packing (W×D×H)	(inch)	43.11x19.49x58.27	
	(mm)	1095x495x1480	
Net/ Gross weight	(lbs.)	233.03/265.87	
	(kg)	105.7/120.6	

Outdoor unit dimension



Unit ^o	W ^o	D ^o	H ^o	W1 ^o	A ^o	B ^o
mm ^o	952 ^o	415 ^o	1333 ^o	1060 ^o	634 ^o	404 ^o
inch ^o	37.5 ^o	16.3 ^o	52.5 ^o	41.7 ^o	25.0 ^o	15.9 ^o