

CMH Series

SPECIFICATIONS

- Rifled copper tubing, enhanced aluminum fins
- Immersion-tested at 500 psi, then nitrogen-pressurized and sealed
- Left-hand refrigerant and plumbing connections
- Externally mounted flowrater body with Schrader valve
- Heavy duty plastic drain pans on all models
- AHRI certifiable with certain brands of A/C and heat pump systems
- UL listed for use with both R-22 and R-410a when proper metering device is used

Line-Set Connection Size

1-1/2 - 3 Ton 3/8" x 3/4"
3-1/2 - 5 Ton 3/8" x 7/8"

Real-Time Ratings Generator



For Comfort-Aire/Century extended OEM ratings, please visit www.marsdeliversratings.com

MANUFACTURED HOUSING COILS



*Representative drawing only.
Some models may vary in appearance.*

TXV for 1.5 - 2.5 Ton H4TXV01
TXV for 3 - 4 Ton H4TXV02
TXV for 5 Ton H4TXV03



Warranty—6 years on parts, 10 years when installed as a part of a residential AHRI matched system (Some limitations apply; see printed warranty for details.)
www.marsdelivers.com

CMH Series

DIMENSIONS

Coil Model	Nominal Tonnage	Dimensions			Weight	Pallet Qty	R-22 Piston
		Pan Widths (W)"	Pan Depth (D)"	Coil Height (H)"			
CMH18/36PM1M	1.5 - 3	18"	19-1/2"	17"	32	8	0.067
CMH24/30PM1M	2 - 2.5	18"	19-1/2"	19"	35	8	0.059
CMH36PM2M	2.5 - 3	18"	19-1/2"	19"	45	8	0.067
CMH42/48PM1M	3.5 - 4	18"	19-1/2"	19"	35	8	0.076
CMH42/48PM2M	3.5 - 4	18"	19-1/2"	19"	45	8	0.076
CMH48PM2M	3.5 - 4	18"	19-1/2"	*21"	48	4	0.093
CMH48/60PM1M	4 - 5	18"	19-1/2"	*25"	46	4	0.093
CMH48/60PM2M	4 - 5	18"	19-1/2"	*23"	49	4	0.093

(In reference to coil model number) NOTE: 21" or taller coils can only be used with the following equipment combinations -

*Nortek Style:
E7-Series Electric Furnaces (All Models)
MG1E/MG2R/M5SB with 922594 26" Coil Box (NOT FOR STANDARD 20" COIL BOX)*

*JCI Style:
EBE-Series Electric Furnaces with
3500-8602 Cabinet Extension*

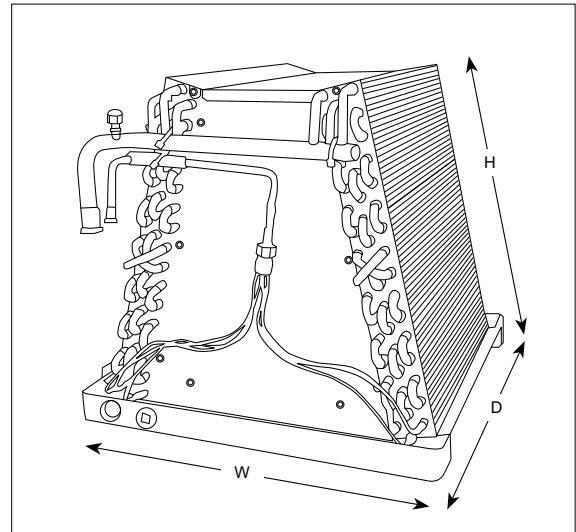
SERVICE COIL DIMENSIONS

Coil Model	Nominal Tonnage	Dimensions			Weight	Pallet Qty	R-22 Piston
		Pan Widths (W)"	Pan Depth (D)"	Coil Height (H)"			
CMH18/24PM3M	1.5 - 2	18"	19.5"	11"	22	8	0.053
CMH36PM3M	3	18"	19.5"	15"	28	8	0.073
CMH42/60PM3M	3.5 - 5	18"	19.5"	19"	45	8	*0.093

*Coils are shipped with R-410A pistons already installed. *Same Piston is used for R-22 and R-410A
These are Replacement Service Coils "Only" and are not RATED. For Manufactured Housing Use Only*

PISTONS

Description	Piston Size	Part Number	Tonnage Outdoor Unit
R-22 Pistons	41	176799941	12
	53	176799953	18
	59	176799959	24
	67	176799967	30
	73	176799973	36
	80	176799980	42
	84	176799984	48
	93	176799993	60
R-410A Pistons	41	176799941	12
	49	176799949	18
	53	176799953	24
	59	176799959	30
	67	176799967	36
	73	176799973	42
	93	176799993	60



"This product complies with all California product labeling laws including, but not limited to, the Safe Drinking Water and Toxic Enforcement Act of 1986, more commonly known as Proposition 65."

Due to ongoing product improvements, specifications and dimensions are subject to change and correction without notice or incurring obligations. Determining the application and suitability for use of any product is the responsibility of the installer. Additionally, the installer is responsible for verifying dimensional data on the actual product prior to beginning any installation preparations.

Third party incentive and rebate programs have precise requirements as to product performance and certification. All products meet applicable regulations in effect on date of manufacture; however, certifications are not necessarily granted for the life of a product. Therefore, it is the responsibility of the applicant to determine whether a specific model qualifies for these incentive/rebate programs.