

---

# Comfort-Aire®

---

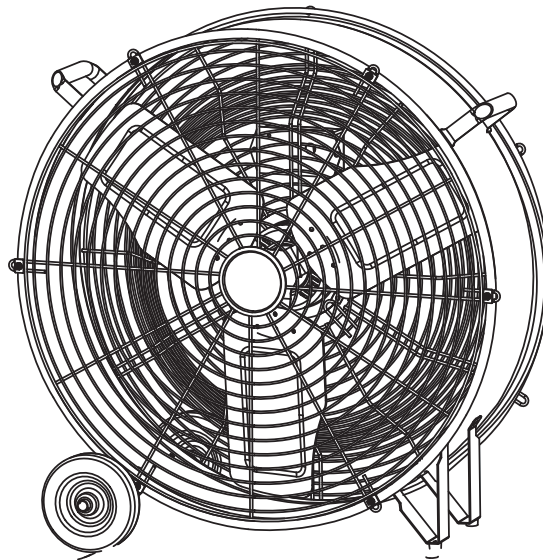
## OWNER'S MANUAL

### Model

**30 / 36" Fixed Direct Drive Fan**

FB-3030Dxx-MBL

FB-3630Dxx-MBL



***READ AND SAVE THESE INSTRUCTIONS***

Attention: Pictures in this manual are for reference only.



## SAFETY INFORMATION

### WARNING

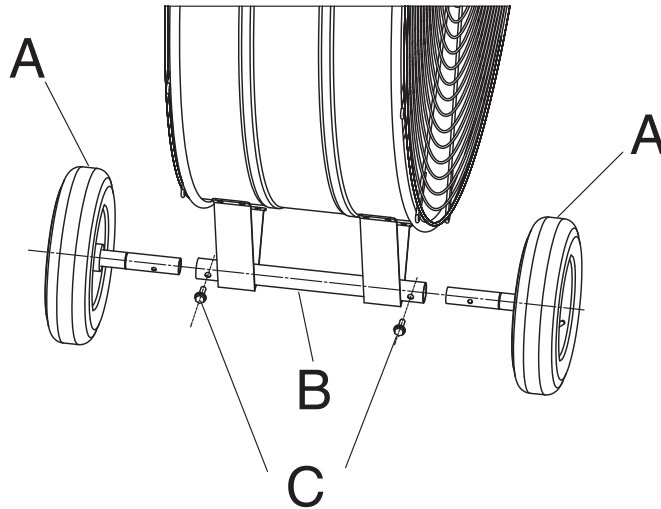
1. Read and save these instructions. Do not operate fan unless you have read these instructions.
2. Unplug the fan before moving it or performing maintenance. Do not touch the fan when your hands are wet.
3. Those who are not qualified electricians should not disassemble, repair or rebuild the fan.
4. Unplug the fan when it is not in use.
5. DO NOT unplug the fan by pulling the power cord. Unplug by holding the plug and pulling.
6. DO NOT use the fan when there is damage to the power cord or plug. If the power cord is damaged, it has to be replaced by the manufacturer, its service agent or similarly qualified persons.
7. DO NOT use the fan with extension cord.
8. DO NOT use the fan close to fires.
9. DO NOT insert your hand or other objects into the grille or the movable parts.
10. To reduce the risk of fire or electric shock, do not use this fan with any solid-state speed control device.
11. DO NOT use this fan outdoors, this fan is designed for indoor use only.

### CAUTION

1. Unplug the fan from the socket and clean it with a soft cloth.
2. DO NOT immerse the fan.
3. Verify air fan guards are securely in place before operating the fan.
4. This fan is not intended for use by people (including children) with reduced physical, sensory or mental capabilities or lack of experience and knowledge unless they have been given supervision or instruction concerning use of the fan by a person responsible for their safety. Supervise children to ensure they do not play with the fan.

## ASSEMBLY INSTRUCTION

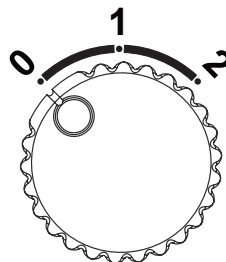
1. Place the fan on a safe, flat surface where it can not fall or be pulled by the cord.
2. Attach the wheels (A) to wheel shaft (B) on the fan body and secure with screws (C).



## OPERATION INSTRUCTION

1. Place the fan on a safe, flat surface where it can not fall or be pulled by the cord.
2. Adjust the desired speed by rotating the switch knob at the back of fan.

0 Stop                      1 Low                      2 High



# LIMITED EXPRESS WARRANTY

**Congratulations on purchasing your new HVAC equipment. It's been designed for long life and reliable service, and is backed by one of the strongest warranties in the industry. Your item automatically qualifies for the warranty coverage listed below, providing you keep your proof of purchase (receipt) for the equipment and meet the warranty conditions.**

## LIMITED ONE (1) YEAR EXPRESS WARRANTY

Comfort-Aire warrants item to be free from defects in workmanship and materials for normal use and maintenance for one (1) year from the date of purchase by the original consumer. This Express Limited Warranty applies only when operated per Comfort-Aire installation and operating instructions for normal use.

## EXCEPTIONS

The Limited Express Warranty does not cover normal maintenance Comfort-Aire recommends that regular inspection/maintenance be performed at least once a season.

## CONDITIONS FOR WARRANTY COVERAGE

Item must be operated according to Comfort-Aire operating instructions included with the unit and cannot have been subjected to accident, alteration, improper repair, neglect or misuse, or an act of God (such as a flood)

- Serial numbers and/or rating plate have not been altered or removed
- Performance cannot be impaired by use of any product not authorized by Comfort-Aire, or by any adjustments or adaptations to components
- Damage has not been a result of inadequate wiring or voltage conditions, use during brown-out conditions, or circuit interruptions

## DURATION OF WARRANTY & REGISTRATION

The warranty begins on the date of purchase by the original consumer. The consumer must retain a receipt as proof of warranty period. Without this proof, the express warranty begins on the date of shipment from the factory.

## REMEDY PROVIDED BY THE LIMITED EXPRESS WARRANTY

The sole remedy under the Limited Warranty is replacement of the defective unit. Labor to diagnose and replace the defective unit is not covered by this Limited Express Warranty. If for any reason the replacement product is no longer available during the warranty period, Comfort-Aire shall have the right to allow a credit in the amount of the current suggested retail price of the product instead of providing replacement.

## LIMITATION OF LIABILITY

1. There are no other express or implied warranties. Comfort-Aire makes no warranty of merchantability. We do not warrant that the item is suitable for any particular purpose or can be used in buildings or rooms of any particular size or condition except as specifically provided in this document. There are no other warranties, express or implied, which extend beyond the description in this document.
2. All warranties implied by law are limited in duration to the one-term of the warranty. We will not be liable for any consequential or incidental damages caused by any defect in this item.
3. This warranty gives you specific legal rights and you may also have other rights which vary from state to state. Some states do not allow limitation on how long an implied warranty lasts or do not allow the exclusion or limitation of incidental or consequential damages, so the above limitations or exclusions may not apply to you.
4. No warranties are made for items sold outside the continental United States and Canada. Your distributor or final seller may provide a warranty on items sold outside these areas.
5. Comfort-Aire will not be liable for damages if our performance regarding warranty resolution is delayed by events beyond our control including accident, alteration, abuse, war, government restrictions, strikes, fire, flood, or other acts of God.

## HOW TO SUBMIT A WARRANTY CLAIM

If you have a warranty claim, notify you installer or dealer promptly.

## KEEP THIS INFORMATION AS A RECORD OF YOUR PURCHASE

### PRODUCT IDENTIFICATION

\_\_\_\_\_

Model Number

\_\_\_\_\_

Date of Purchase

*Remember to retain your bill of sale as proof of warranty period.*

Fans\_3-2020

Due to ongoing product improvements, specifications and dimensions are subject to change and correction without notice or incurring obligations. Determining the application and suitability for use of any product is the responsibility of the installer. Additionally, the installer is responsible for verifying dimensional data on the actual product prior to beginning any installation preparations.

Incentive and rebate programs have precise requirements as to product performance and certification. All products meet applicable regulations in effect on date of manufacture; however, certifications are not necessarily granted for the life of a product.

Therefore, it is the responsibility of the applicant to determine whether a specific model qualifies for these incentive/rebate programs.

*Comfort-Aire*®

1900 Wellworth Ave., Jackson, MI 49203 • Ph. 517-787-2100 • www.marsdelivers.com

